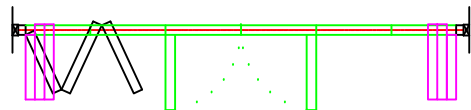
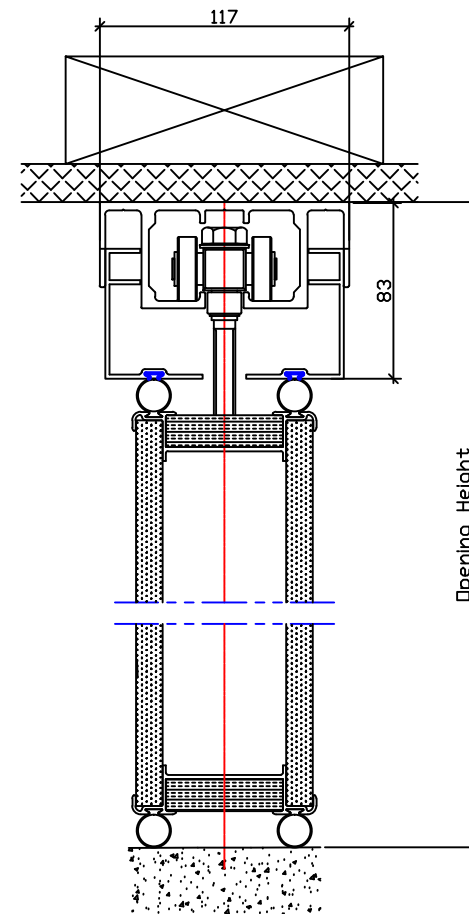


Centrefold



All necessary supportwork including timber head by others



VERTICAL SECTION THROUGH TRACK & PARTITION

Doors must remain connected (Magnetic Catches) until all panels are fully extended and locked into place.

Project:	?????		
Product:	Sesam Vikett 85 Top Hung Partition.		
Configuration:	Centrefold, 2 wings of 2 full panels and 1 half panel.		
Finish:	Duospan LP Laminate.		
Sound Reduction:	??dB (lab value)	Total Weight:	??kgs approx
Ironmongery:	Latch and Dish Handles	Drawing No:	???
Scale:	N.T.S.	Date:	20.12.13
		Drawn By:	RLW
		Issue:	A
Revisions:	.		

