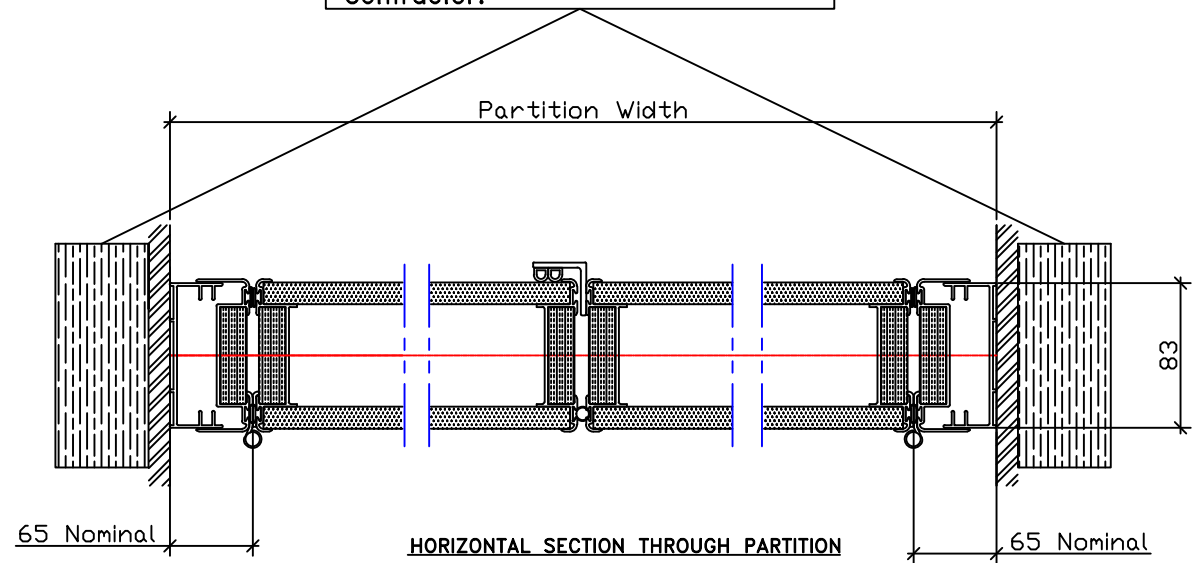
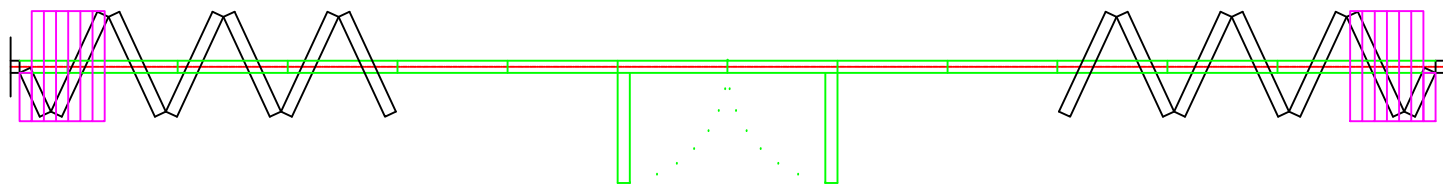


100 x 50mm timber or other suitable fixing to be fitted by Main Contractor.



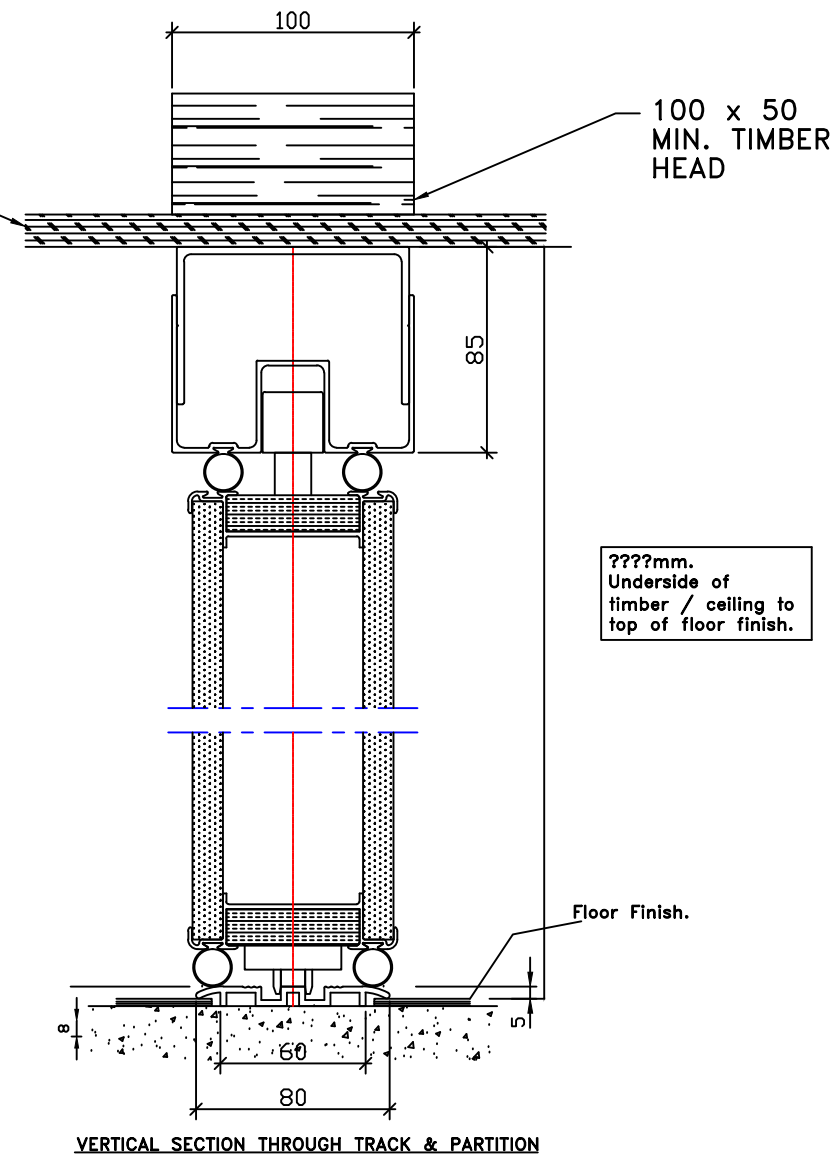
Centrefold



Doors must remain connected (Magnetic Catches) until all panels are fully extended and locked into place.

Ceiling Tile

All necessary supportwork including timber head by others. Tolerance of +/- 2mm on Floor Level.



Project:	?????
Product:	Sesam Vikett 85 Floor Mounted Partition.
Configuration:	Centrefold, 2 wings of 6 full panels and 1 half panel.
Finish:	Duhospan LP Laminate.
Sound Reduction:	??dB (lab value)
Ironmongery:	Latch and Dish Handles
Scale:	N.T.S.
Date:	20.12.13
Revisions:	.
Total Weight:	??kgs approx
Drawing No.:	???
Drawn By:	RLW
Issue:	A

